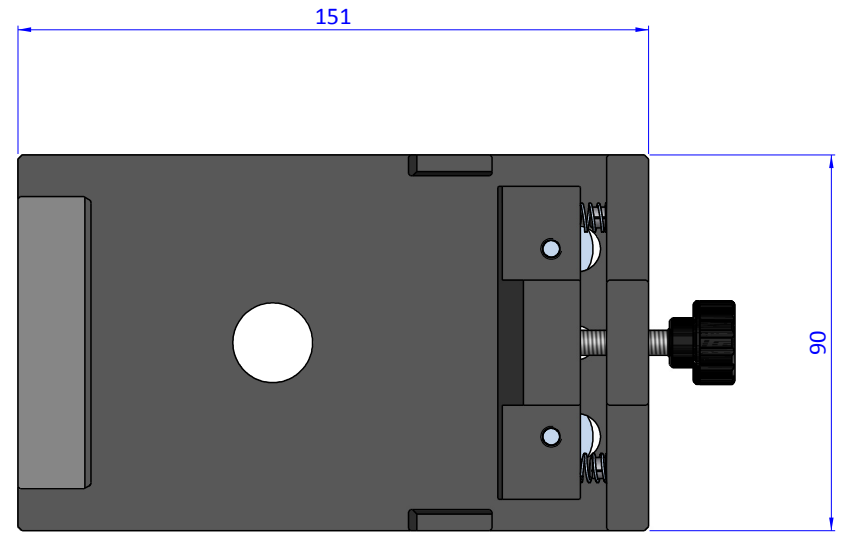
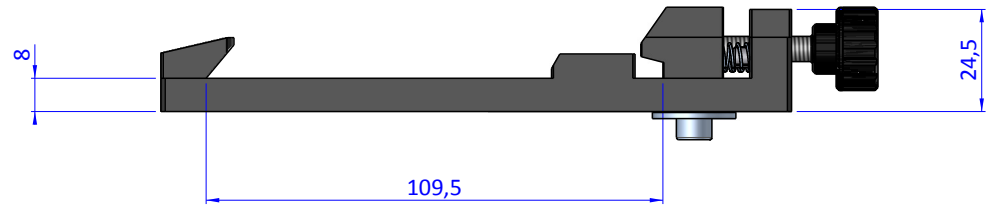
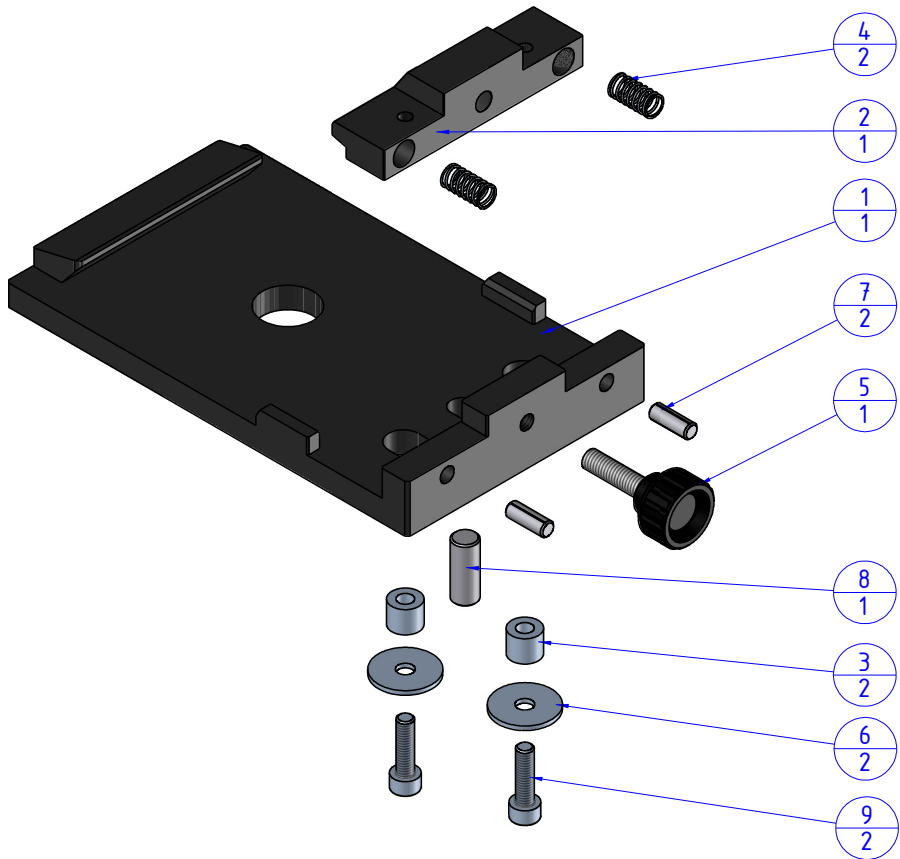


THE PROPERTY OF THE DRAWING IS ESTABLISHED BY LAW. IT IS FORBIDDEN TO PRODUCE OR SHOW IT TO THIRD PARTY, WITHOUT A WRITTEN AGREEMENT.

Item	Name	Q.ty
1	01.02.007.01	1
2	01.02.007.02	1
3	01.02.007.03	2
4	M.7x18	2
5	POM.6581	1
6	R.L5	2
7	SPI.5x14	2
8	SP.8x20	1
9	V.TCE5x18	2



Format A3

UNI 936-76

		DESIGNED FROM	REVIEW
		FP SERVICES	A / 18
GENERAL TOLERANCE	DESCRIPTION	DATE	WEIGHT
UNI - ISO 2768	CA.01.02.007	19/11/2018	0,391kg
CLASSE f		CODE	CA.01.02.007